

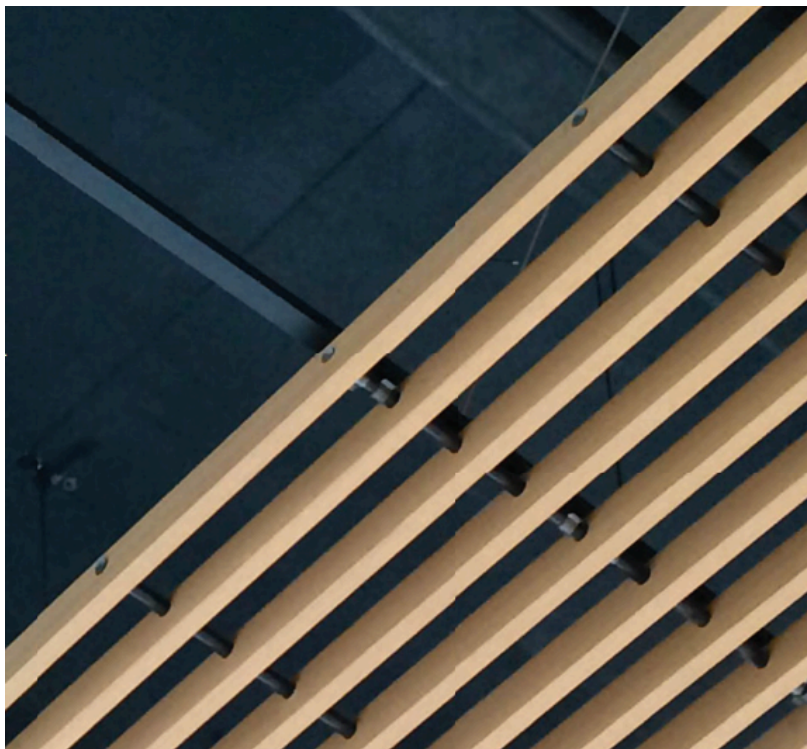
WOOD LINEAR SUSPENDED CEILING SYSTEM DATASHEET

Technical Info:

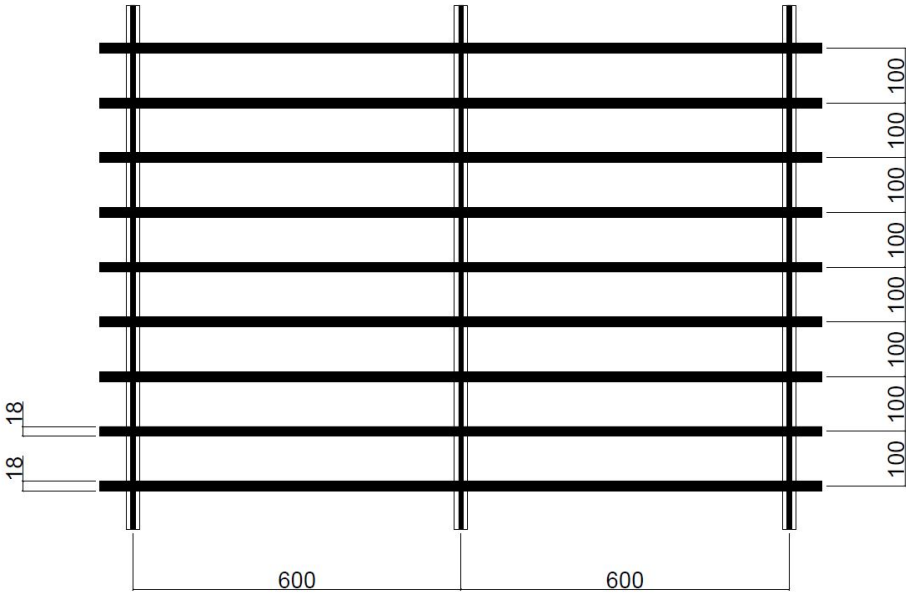
System	: Linear Wood Ceiling, T24 Demountable
Raw material	: solid ayous wood massive, polished
Sizes	: 20x200mm, lengths 2000mm or according to the shop dwg
Suspension System	: T24 main tee (24x38mm), galvanised steel, black, Ø12mm aluminium tubes black with a connecting clips, steel, black, hanger spring, hanger wire and steel dowel
Modules	: Unassembled

Specification:

c/c: 180mm center to center distance.

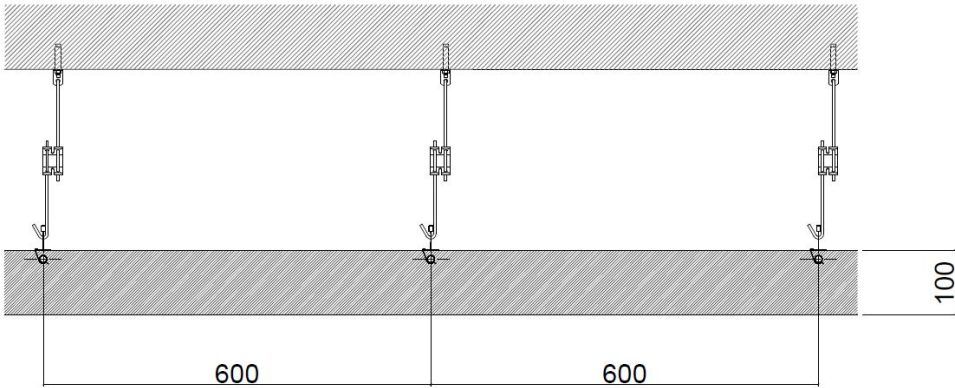


Wood Linear Ceiling Plan *drawings below are for standard sizes for indication purpose*



PLAN

Wood Linear Ceiling Section A *drawings below are for standard sizes for indication purpose*



SECTION



Wood Linear Ceiling Section B drawings below are for standard sizes for indication purpose

