

DECKON PREMIUM METAL CEILINGS CLIP-IN SYSTEM DATASHEET

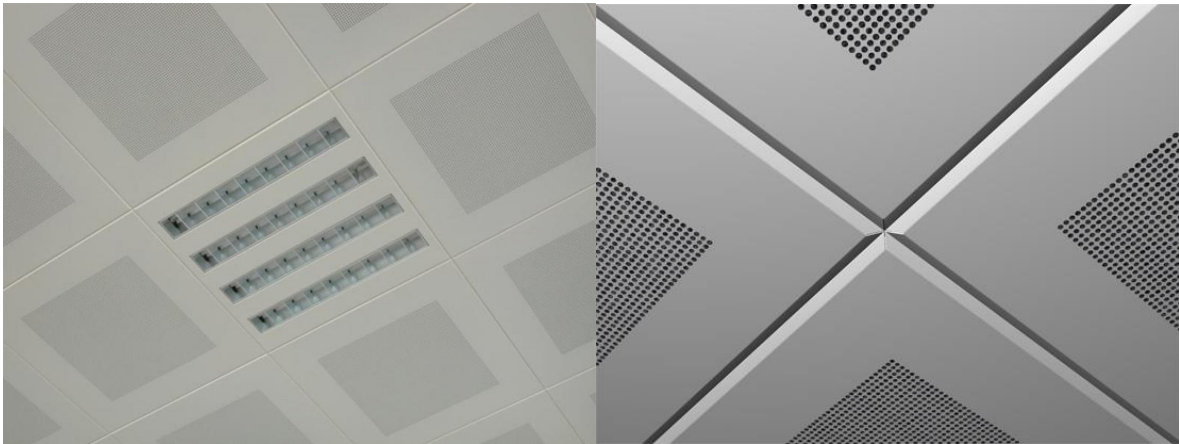
Technical Info:

Product	: aluminium or galvanised steel
Sizes	: 600x600mm, 300x600mm, 600x1200mm std
Thickness	: 0.50 - 0.70 mm
Surface	: electrostatic powder coated
Perforation	: none or \varnothing 1.8-2.5mm hole diameter with 10-50-100mm bordure
Suspension syst	: hot dip galvanised steel, black
Edge detail	: 20-30mm up-turns, as specified
Fire Resistance	: class A as steel
Color	: RAL 9016, standard white

Specification:

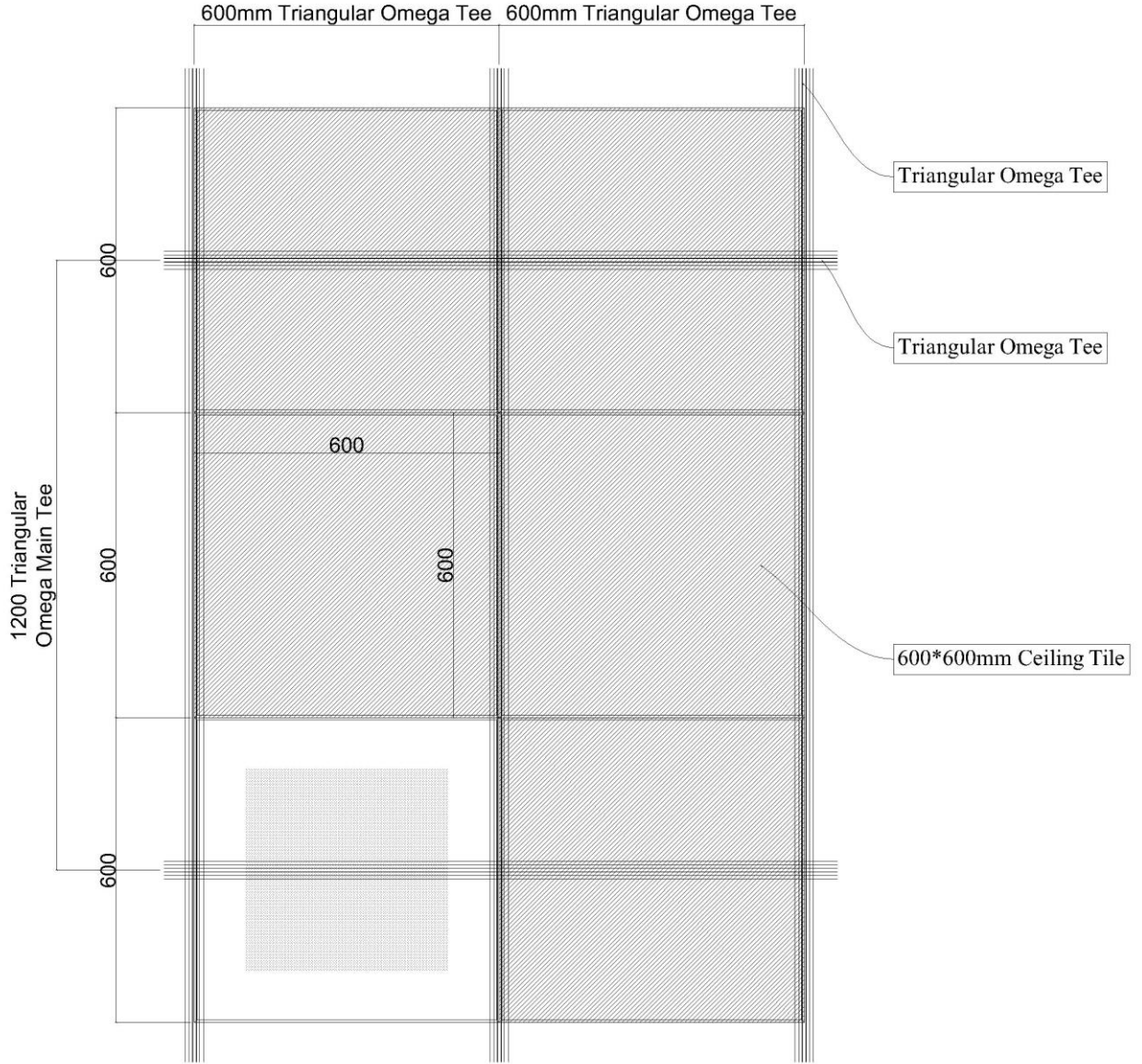
Standard clip-in system consists of a concealed supporting structure where demountable tiles can be clipped into the triangular omega main runner. The grid system is not visible. All panels are independently demountable thus enabling easy and fast access to the ceiling void.

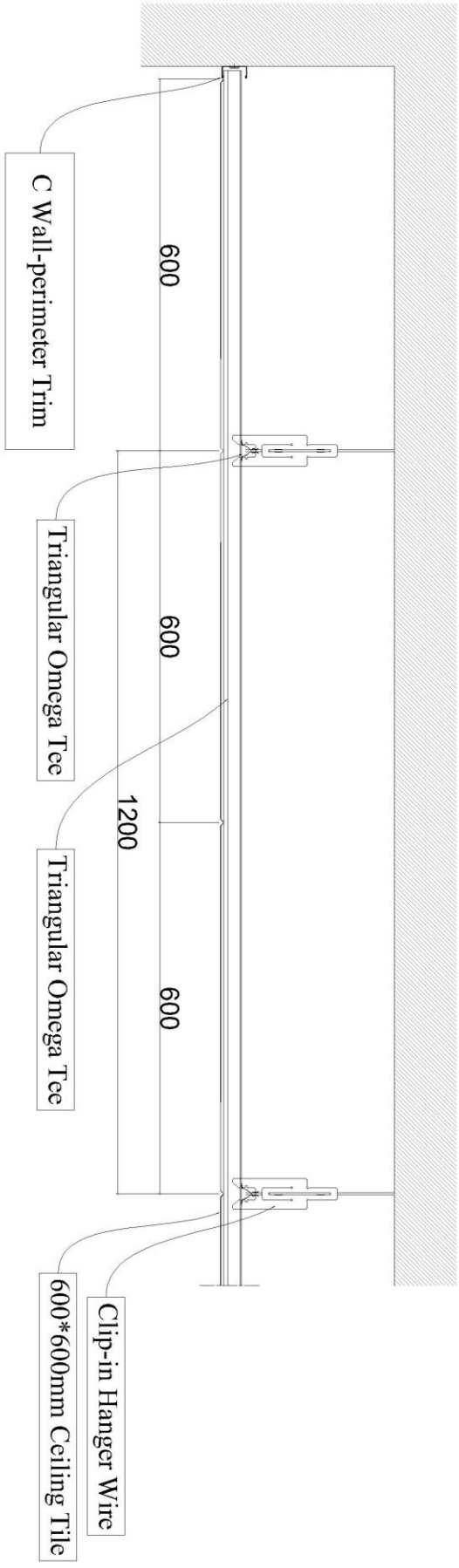
VISUAL



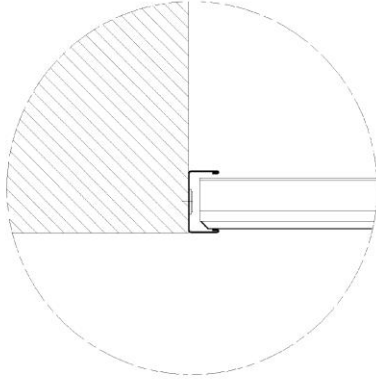
TECHNICAL DRAWINGS

CLIP-IN SYSTEM, CONCEALED
STANDARD LAYOUT
600*600 mm.

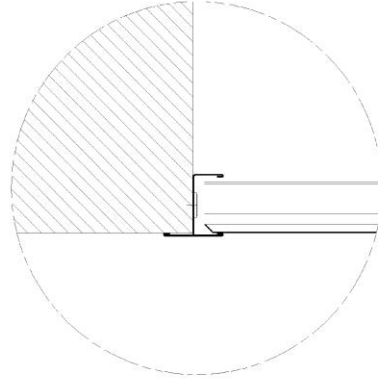




SECTION



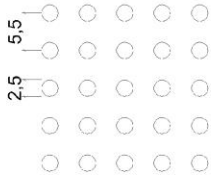
'C' Wall-perimeter Trim



'H' Wall-perimeter Trim

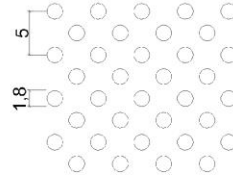
PERFORATIONS

full 2.5 mm perf.



Hole Diameter : \varnothing 2.5 mm.
Axis (center to center) : 5.5 mm. , 90°
Perforation : Regular

full diagonal 1.8 mm perf.



Hole Diameter : \varnothing 1.8 mm.
Axis (center to center) : 5 mm. , 45°
Perforation : Diagonal

